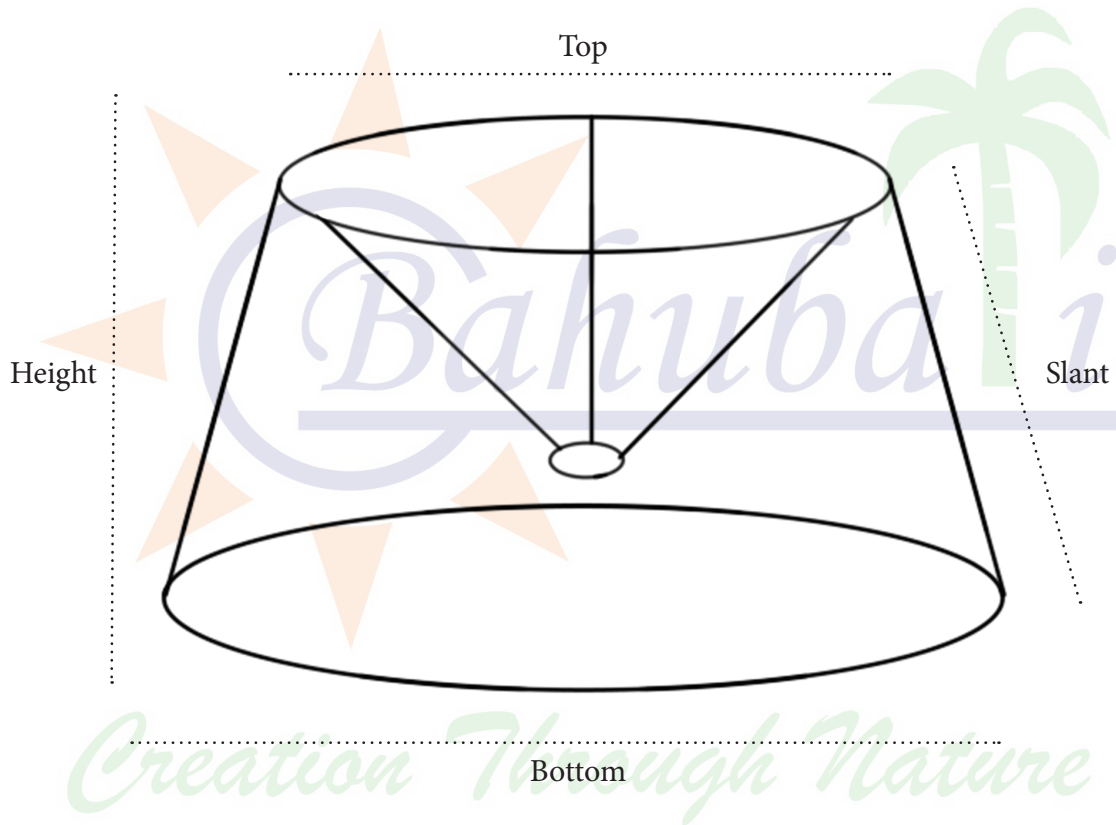
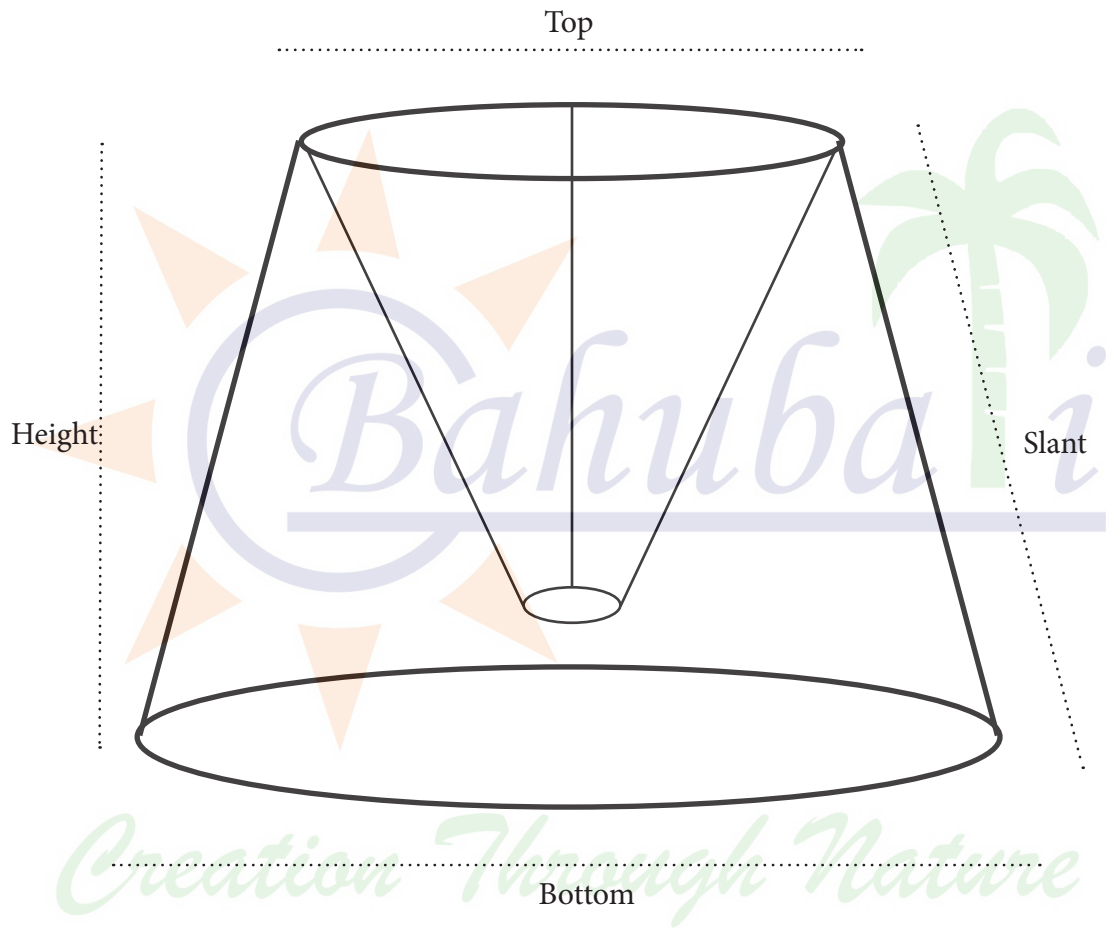


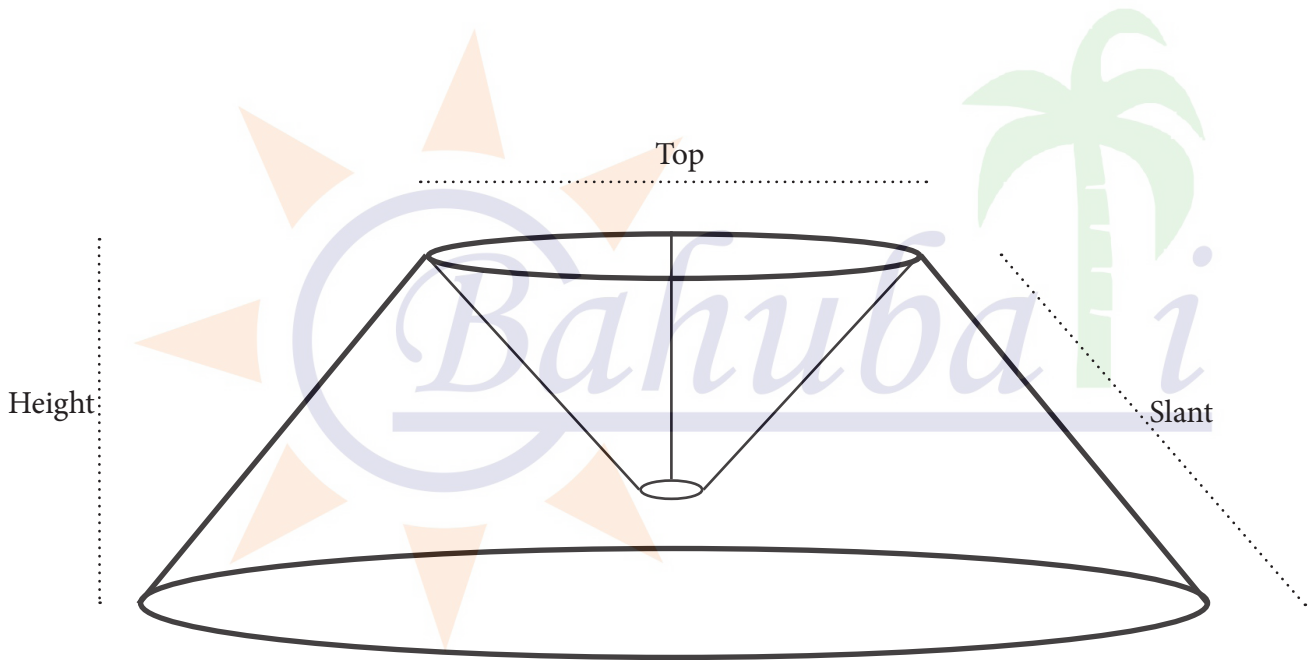
SHAPE AND SIZE CHART



SHAPE		DRUM			PACKAGING DETAILS				
Model No.	Size of Shade (in cms.)				PC in CTN	Size of CTN (in cms.)			CBM of CTN
	TOP	BOTTOM	SLANT	HEIGHT		L	W	H	
DR-08	15.00	20.00	12.00	11.50	10	22	22	44	0.021
DR-10	20.00	25.00	15.50	15.00	10	27	27	47	0.034
DR-10A	20.00	25.00	20.50	20.00	10	27	27	52	0.038
DR-12	25.00	30.00	19.00	15.00	10	32	32	47	0.048
DR-12A	25.00	30.00	22.50	22.00	10	32	32	54	0.055
DR-14	30.00	35.00	21.50	20.00	10	37	37	52	0.071
DR-14A	30.00	35.00	17.50	17.00	10	37	37	49	0.067
DR-16	30.00	40.00	25.00	24.00	10	42	42	56	0.098
DR-16A	32.00	40.00	22.00	22.00	10	42	42	54	0.095
DR-16B	33.00	40.00	27.00	27.00	10	42	42	59	0.104
DR-18	35.00	45.00	28.00	25.00	10	47	47	57	0.125
DR-18A	35.00	45.00	31.00	30.00	10	47	47	62	0.136
DR-20	40.00	50.00	30.50	30.00	5	52	52	47	0.127
DR-22	45.00	55.00	30.50	30.00	5	57	57	47	0.152
DR-24	50.00	60.00	30.50	30.00	5	62	62	47	0.180

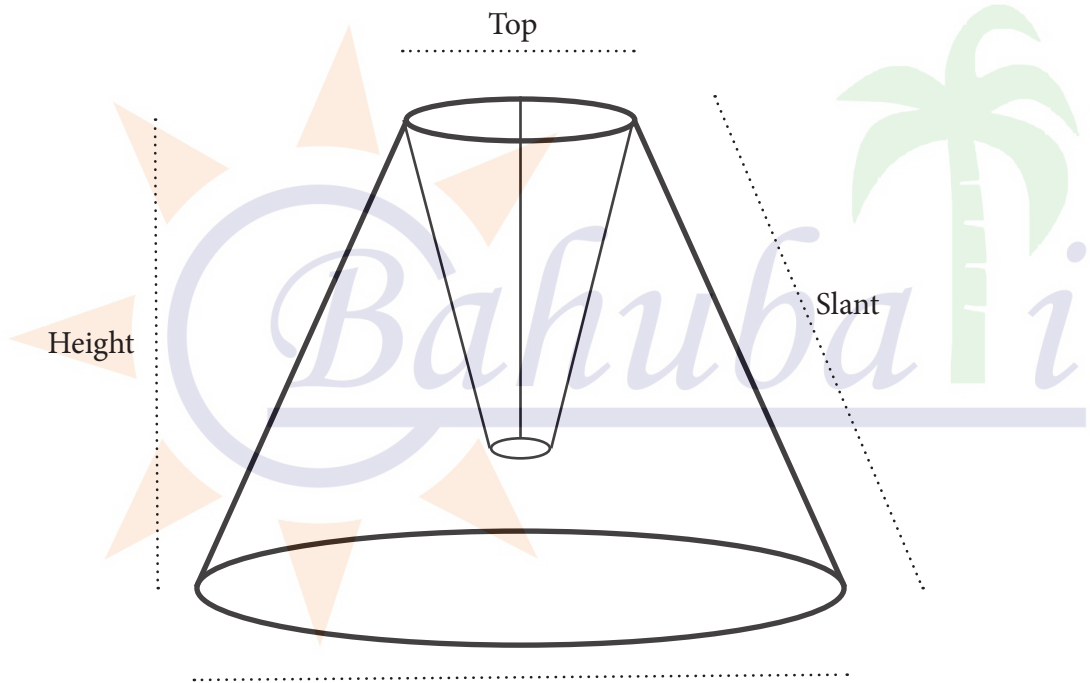


SHAPE EMPIRE					PACKAGING DETAILS				
Model No.	Size of Shade (in cms.)				PC in CTN	Size of CTN (in cms.)			CBM of CTN
	TOP	BOTTOM	SLANT	HEIGHT		L	W	H	
EM-08	10.00	20.00	14.00	13.00	10	22	22	45	0.021
EM-10	12.00	25.00	16.00	14.50	10	27	27	47	0.034
EM-12	14.00	30.00	19.00	17.00	10	32	32	49	0.050
EM-14	16.00	35.00	21.50	19.00	10	37	37	51	0.069
EM-16	20.00	40.00	23.50	21.00	10	42	42	53	0.093
EM-18	24.00	45.00	26.50	25.00	10	47	47	57	0.125
EM-20	27.00	50.00	30.50	27.00	5	52	52	44	0.118
EM-22	30.00	55.00	33.00	30.00	5	57	57	47	0.152
EM-24	33.00	60.00	33.00	31.00	5	62	62	48	0.184



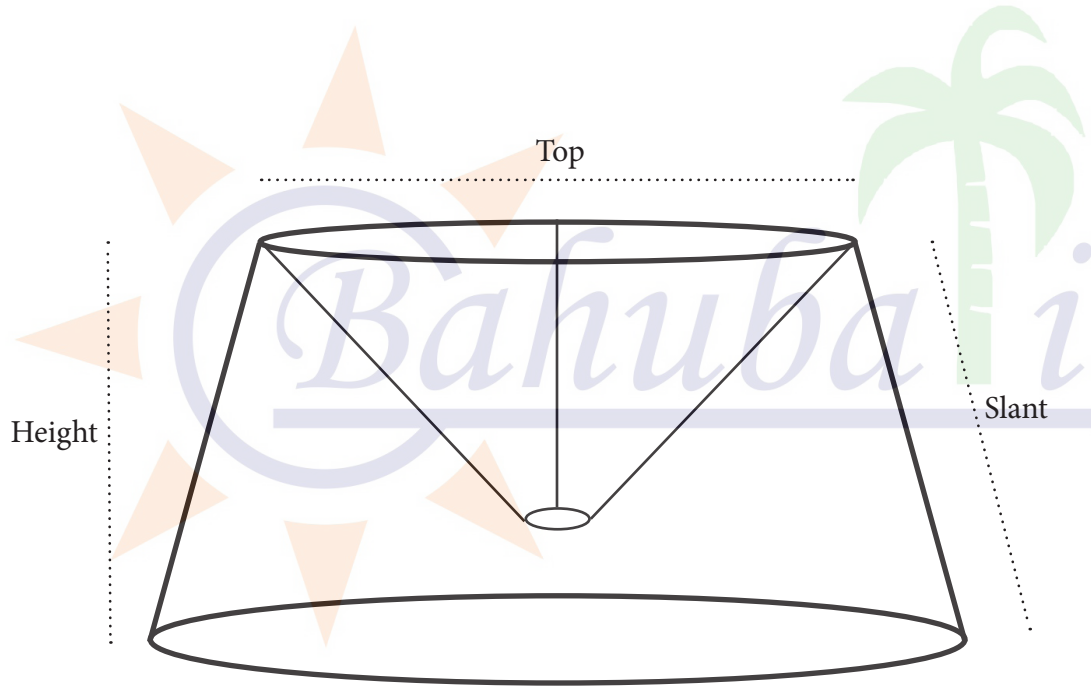
Creation Through Nature

SHAPE COOLIE					PACKAGING DETAILS				
Model No.	Size of Shade (in cms.)				PC in CTN	Size of CTN (in cms.)			CBM of CTN
	TOP	BOTTOM	SLANT	HEIGHT		L	W	H	
CL08	9.00	20.00	13.00	12.00	10	22	22	44	0.021
CL-10	9.00	25.00	15.00	13.00	10	27	27	45	0.032
CL-12	9.20	30.00	18.00	14.70	10	32	32	47	0.048
CL-12A	8.00	30.00	15.00	10.00	10	32	32	42	0.043
CL-14	11.00	35.00	20.00	16.00	10	37	37	48	0.065
CL-16	12.00	40.00	23.00	18.00	10	42	42	50	0.088
CL-18	14.00	45.00	25.50	20.50	10	47	47	53	0.117
CL-20	15.00	50.00	26.00	19.50	5	52	52	37	0.100
CL-22	15.00	55.00	30.00	22.50	5	57	57	40	0.130
CL-24	15.00	60.00	30.00	19.50	5	62	62	38	0.146



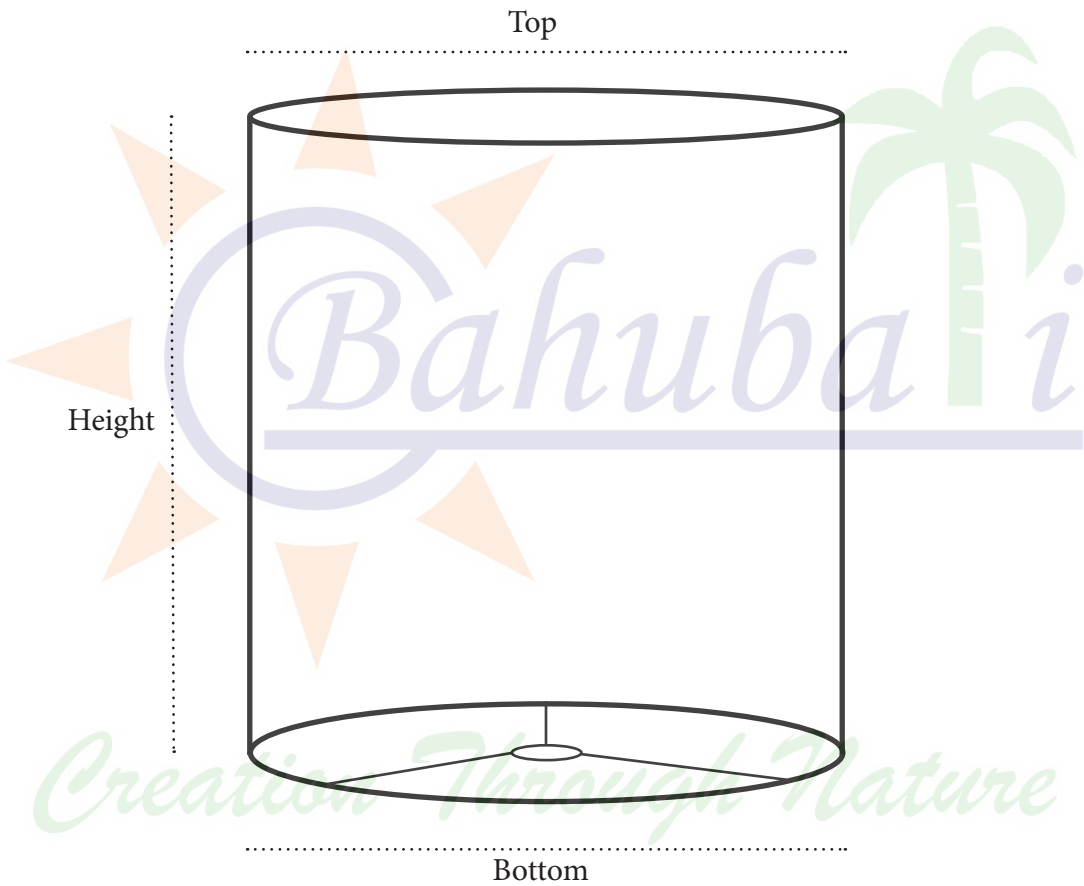
Creation Through Nature

SHAPE CONE					PACKAGING DETAILS				
Model No.	Size of Shade (in cms.)				PC in CTN	Size of CTN (in cms.)			CBM of CTN
	TOP	BOTTOM	SLANT	HEIGHT		L	W	H	
CN-08	07.50	20.00	22.00	21.00	10	22	22	53	0.025
CN-10	10.00	25.00	28.00	27.00	10	27	27	59	0.043
CN-12	12.00	30.00	33.00	32.00	10	32	32	64	0.065
CN-14	15.00	35.00	38.00	36.00	10	37	37	68	0.093
CN-16	18.00	40.00	43.00	41.50	10	42	42	74	0.130
CN-18	20.00	45.00	48.00	46.50	10	47	47	80	0.176
CN-20	22.00	50.00	53.00	51.00	5	52	52	68	0.183



Creation Through Nature

SHAPE OVAL					PACKAGING DETAILS				
Model No.	Size of Shade (in cms.)				PC in CTN	Size of CTN (in cms.)			CBM of CTN
	TOP	BOTTOM	SLANT	HEIGHT		L	W	H	
OL-08	18/10	20/12		16.50	10	14	22	49	0.015
OL-12	25/15	30/19		20.00	10	21	32	52	0.035
OL-14	30/20	35/25		24.00	10	27	37	56	0.055
OL-16	35/21	40/26		26.00	10	28	42	58	0.068
OL-18	40/25	45/30		29.00	10	32	47	61	0.091
OL-20	45/27	50/33		30.00	5	35	52	62	0.112
OL-22	50/30	55/37		30.00	5	39	57	47	0.104



Top

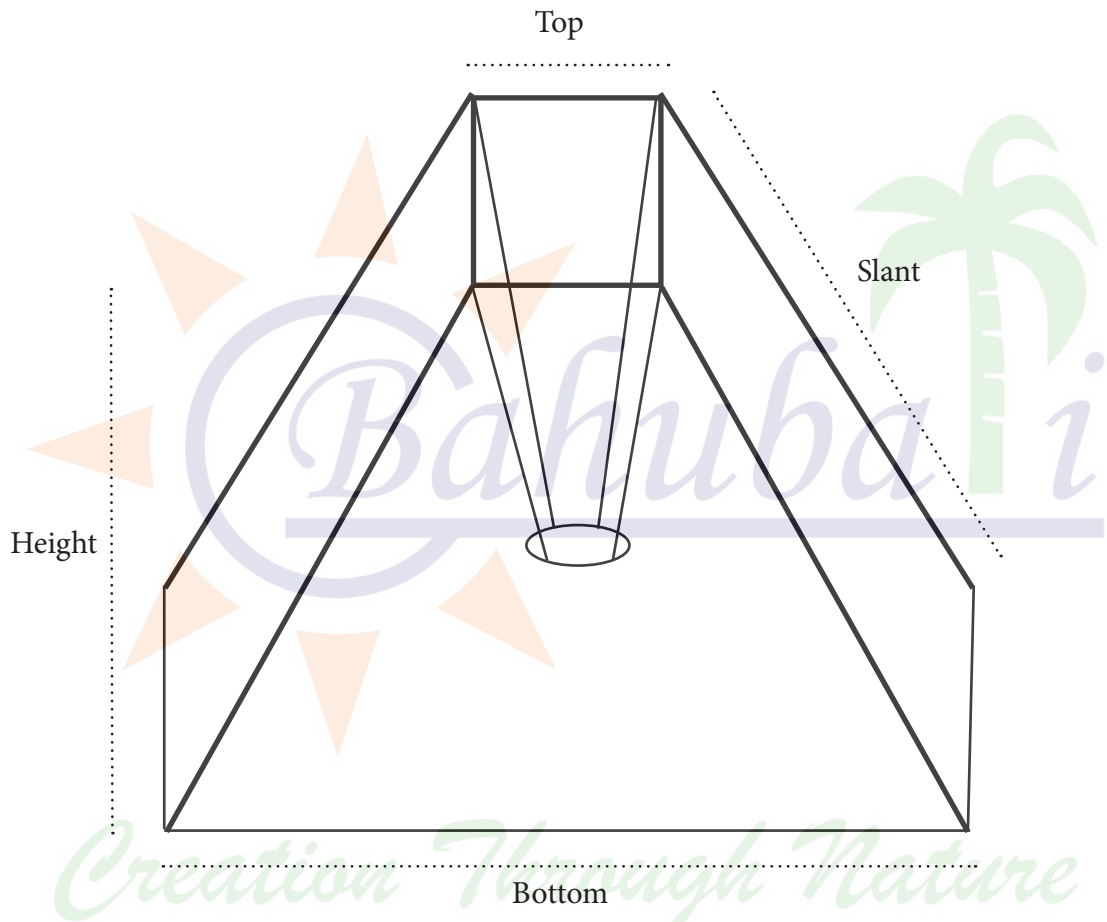
Height

Bottom

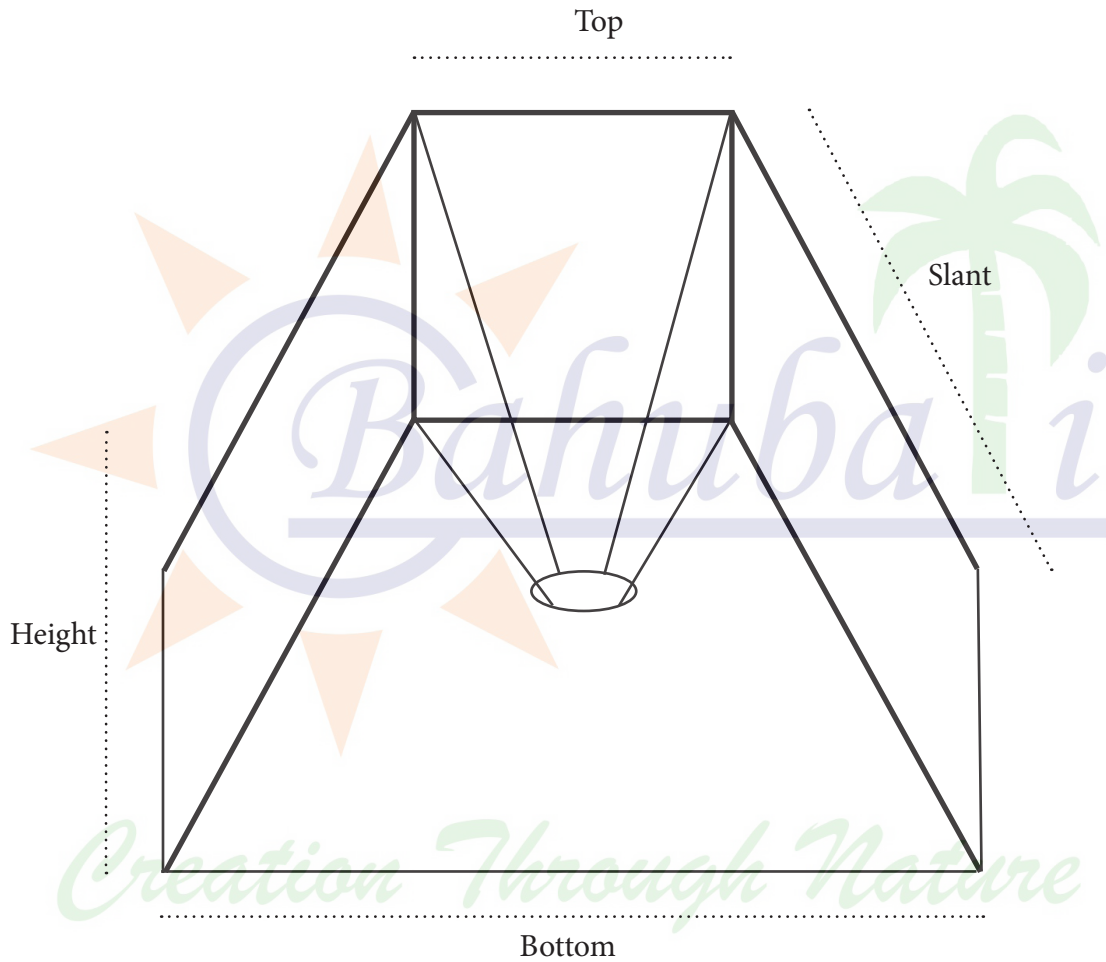
Bahubali

Creation Through Nature

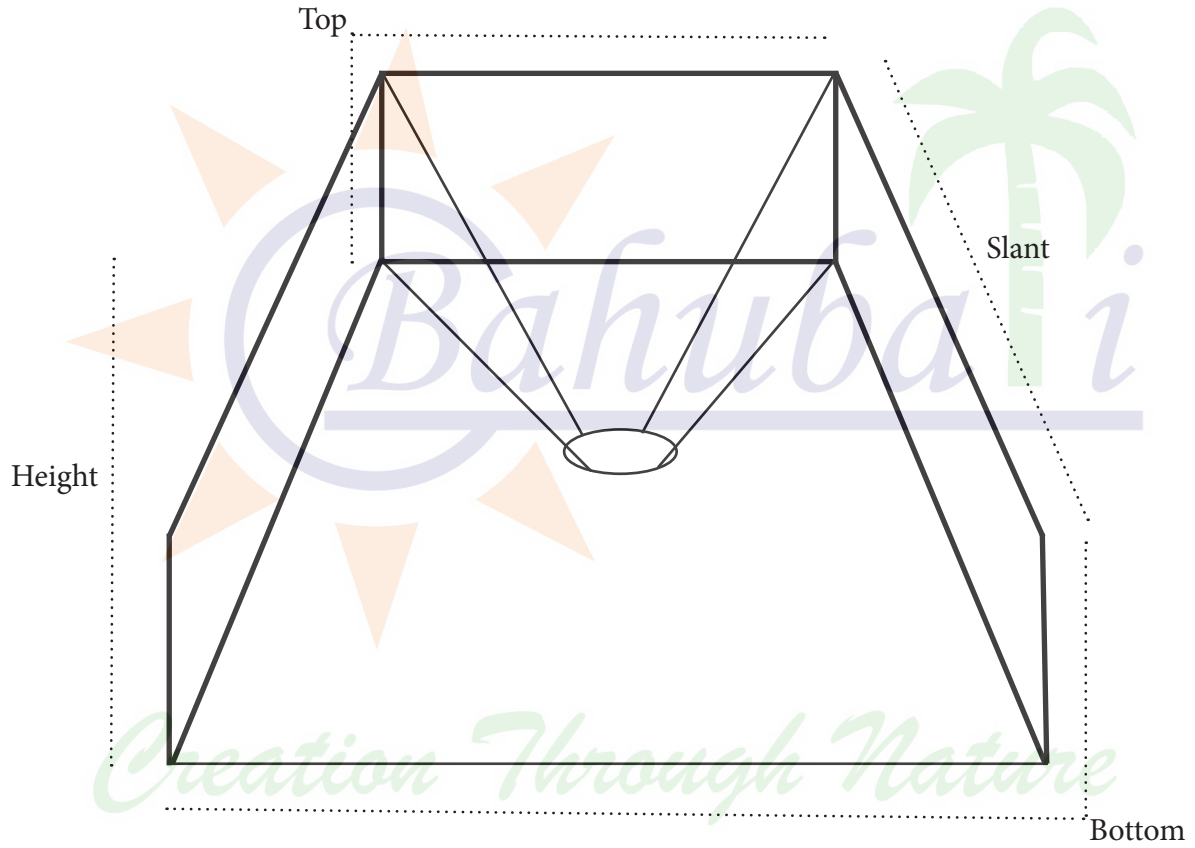
SHAPE CYLINDER					PACKAGING DETAILS				
Model No.	Size of Shade (in cms.)				PC in CTN	Size of CTN (in cms.)			CBM of CTN
	TOP	BOTTOM	SLANT	HEIGHT		L	W	H	
CY-05	12.00	12.00		12.00	1	14	14	18	0.003
CY-06	15.00	15.00		15.00	1	17	17	21	0.006
CY-07	18.00	18.00		18.00	1	20	20	24	0.010
CY-08	20.00	20.00		18.00	1	22	22	24	0.011
CY-10	25.00	25.00		20.00	1	27	27	26	0.018
CY-12	30.00	30.00		24.00	1	32	32	30	0.030
CY-14	35.00	35.00		25.00	1	37	37	31	0.042
DR-16	40.00	40.00		30.00	1	42	42	36	0.063
DR-16A	40.00	40.00		20.00	1	42	42	26	0.045
CY-18	45.00	45.00		30.00	1	47	47	36	0.079
CY-20	50.00	50.00		20.00	1	52	52	26	0.070
CY-20A	50.00	50.00		30.00	1	52	52	36	0.097



SHAPE PYRAMID					PACKAGING DETAILS				
Model No.	Size of Shade (in cms.)				PC in CTN	Size of CTN (in cms.)			CBM of CTN
	TOP	BOTTOM	SLANT	HEIGHT		L	W	H	
PY-08	08.00	20.00	14.00	12.00	10	22	22	44	0.021
PY-10	09.00	25.00	17.00	15.00	10	27	27	47	0.034
PY-12	10.00	30.00	20.00	17.00	10	32	32	49	0.050
PY-14	12.50	35.00	27.00	24.00	10	37	37	56	0.076
PY-16	15.00	40.00	30.00	27.00	10	42	42	59	0.010
PY-18	18.00	45.00	33.00	30.00	10	47	47	62	0.136
PY-20	18.00	50.00	36.00	32.00	5	52	52	49	0.132

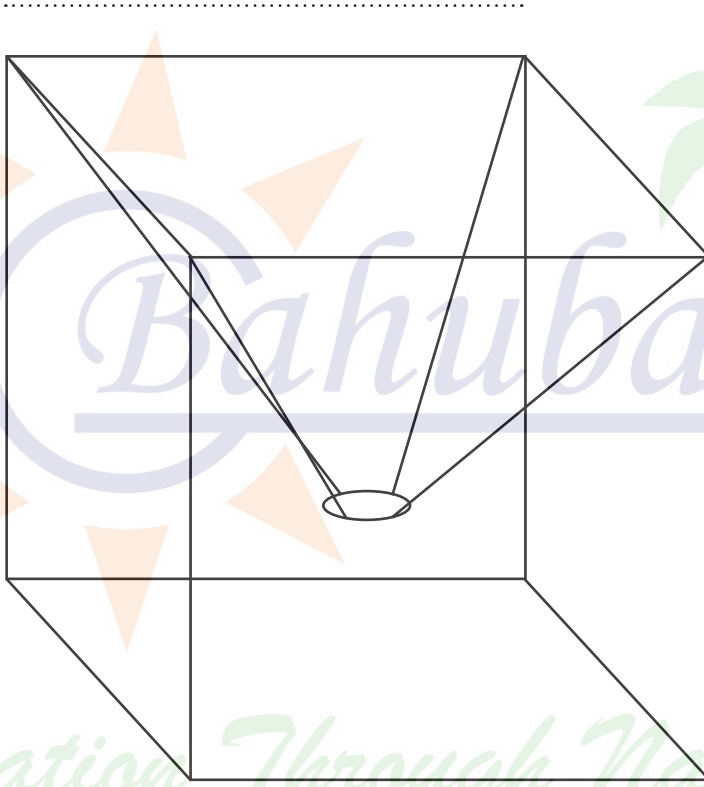


SHAPE SQUARE					PACKAGING DETAILS				
Model No.	Size of Shade (in cms.)				PC in CTN	Size of CTN (in cms.)			CBM of CTN
	TOP	BOTTOM	SLANT	HEIGHT		L	W	H	
SQ-08	14.00	20.00	16.50	16.00	10	22	22	48	0.023
SQ-10	16.00	25.00	20.50	20.00	10	27	27	52	0.037
SQ-12	18.00	30.00	24.00	23.00	10	32	32	55	0.056
SQ-14	20.00	35.00	26.50	25.50	10	37	37	58	0.079
SQ-16	23.00	40.00	30.00	29.00	10	42	42	61	0.107
SQ-18	25.00	45.00	33.50	31.50	10	47	47	64	0.141
SQ-20	28.00	50.00	--	34.00	5	52	52	51	0.137



SHAPE RECTANGLE					PACKAGING DETAILS				
Model No.	Size of Shade (in cms.)				PC in CTN	Size of CTN (in cms.)			CBM of CTN
	TOP	BOTTOM	SLANT	HEIGHT		L	W	H	
RT-10	15/10	25/20	18.00	17.00	10	22	27	49	0.029
RT-12	15/12	30/23	23.00	21.50	10	25	32	54	0.043
RT-14	18/13	36/25	25.00	23.00	10	27	38	55	0.056
RT-16	20/15	41/28	28.00	26.00	10	30	43	58	0.074
RT-18	23/18	46/30	30.00	28.00	10	32	48	60	0.092
RT-20	25/20	50/30	33.00	30.50	10	32	52	48	0.079

Top



Height

Bottom

SHAPE CUBE					PACKAGING DETAILS				
Model No.	Size of Shade (in cms.)				PC in CTN	Size of CTN (in cms.)			CBM of CTN
	TOP	BOTTOM	SLANT	HEIGHT		L	W	H	
CB-06	15	15		15	1	17	17	21	0.006
CB-08	20	20		20	1	22	22	26	0.012
CB-10	25	25		25	1	27	27	31	0.022
CB-12	30	30		30	1	32	32	36	0.036
CB-14	35	35		35	1	37	37	41	0.056

SHAPE HEXAGON					PACKAGING DETAILS				
Model No.	Size of Shade (in cms.)				PC in CTN	Size of CTN (in cms.)			CBM of CTN
	TOP	BOTTOM	SLANT	HEIGHT		L	W	H	
HX-08	12	20	15	--	10	22	22	48	0.023
HX-10	15	25	16	--	10	27	27	49	0.035
HX-12	25	30	23	--	10	37	32	56	0.057
HX-14	30	35	25	--	10	37	37	58	0.079
HX-16	35	30	28	-	10	42	42	61	0.107
HX-18	25	45	30	--	10	47	47	63	0.139

SHAPE HARD PLEATED					PACKAGING DETAILS				
Model No.	Size of Shade (in cms.)				PC in CTN	Size of CTN (in cms.)			CBM of CTN
	TOP	BOTTOM	SLANT	HEIGHT		L	W	H	
HP-08	9	20	14	13.00	10	22	22	50	0.024
HP-10	9.5	25	16	14.00	10	27	27	51	0.037
HP-12	10	30	18	15.00	10	32	32	52	0.053
HP-14	12	35	21	17.50	10	37	37	55	0.075
HP-16	13	40	23.5	19.00	10	26	26	56	0.038

SHAPE ROUND SOFT PLEATED					PACKAGING DETAILS				
Model No.	Size of Shade (in cms.)				PC in CTN	Size of CTN (in cms.)			CBM of CTN
	TOP	BOTTOM	SLANT	HEIGHT		L	W	H	
RP-08	10	20	14	--	10	22	22	47	0.022
RP-10	14	25	16	--	10	27	27	49	0.035
RP-12	14	30	20	--	10	32	32	53	0.054
RP-14	15	35	22.5	--	10	37	37	56	0.076
RP-16	17	40	25	--	10	32	32	58	0.059

SHAPE BELL					PACKAGING DETAILS				
Model No.	Size of Shade (in cms.)				PC in CTN	Size of CTN (in cms.)			CBM of CTN
	TOP	BOTTOM	SLANT	HEIGHT		L	W	H	
BL-08	10	20	19.5	--	10	22	22	52	0.025
BL-10	12.5	25	18.5	--	10	27	27	51	0.037
BL-12	15	30	22.5	--	10	32	32	55	0.056
BL-14	17.5	35	26	--	10	37	37	58	0.079
BL-16	20	40	30	--	10	42	42	62	0.109